



Tarif 2024

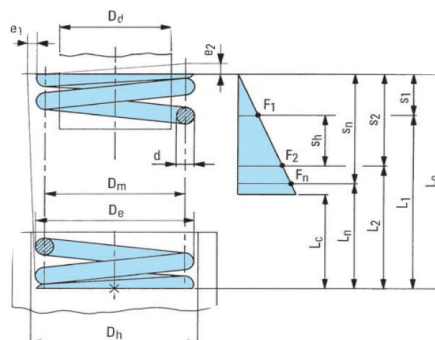
(TVA n.c./Exkl. Mwst)

Assortiment de ressorts de compression

(Extrémités aplaties et meulées)

Druckfedernsortiment

(Mit angelegten und geschliffenen Endwindungen)



Quantité Menge	N° Nr	d [mm]	L0 [mm]	Da [mm]	Nbre de spires actives Anz. Aktive Windungen	Hauteur de blocage Blocklänge Lc [mm]	Constante Federrate [N/mm]	Ln [mm]	Fn [N]	Prix unitaire Stückpreis [Fr.]
	180.A.25311	0.25	15.0	2.0	16.0	4.87	0.464	5.570	4.376	SFr. 0.24
	180.A.25324	0.40	18.0	3.3	13.0	6.00	0.822	6.934	9.096	SFr. 0.32
	180.A.20113	0.40	300.0	3.0	231.0	93.70	0.064	108.788	12.295	SFr. 0.46
	180.A.20114	0.40	300.0	4.0	177.0	72.15	0.031	87.830	6.705	SFr. 0.55
	180.A.25323	0.50	10.0	3.0	8.5	5.25	4.794	5.834	19.969	SFr. 0.27
	180.A.25312	0.60	10.0	4.0	6.0	4.79	5.600	5.332	26.138	SFr. 0.27
	180.A.25325	0.60	22.0	4.0	14.0	9.59	2.400	10.842	26.778	SFr. 0.32
	180.A.25326	0.60	24.0	4.5	13.0	9.00	1.712	10.275	23.497	SFr. 0.34
	180.A.25313	0.60	30.0	6.0	12.0	8.40	0.698	9.995	13.977	SFr. 0.32
	180.A.20117	0.60	50.0	6.0	20.0	13.20	0.419	15.866	14.302	SFr. 0.37
	180.A.25315	0.70	32.0	4.8	18.0	13.99	1.972	15.906	31.737	SFr. 0.37
	180.A.20115	0.70	300.0	5.0	137.0	98.29	0.224	113.299	41.952	SFr. 0.69
	180.A.10201	0.80	30.0	6.0	15.0	13.60	1.979	15.557	28.583	SFr. 0.37
	180.A.10202	0.80	40.0	6.0	18.0	16.00	1.650	18.340	35.740	SFr. 0.38
	180.A.10203	0.80	50.0	6.0	23.0	21.19	1.291	24.194	33.315	SFr. 0.40
	180.A.10204	0.80	60.0	6.0	28.0	24.00	1.060	27.657	34.284	SFr. 0.41
	180.A.20118	0.80	60.0	8.0	17.0	15.19	0.658	18.203	27.502	SFr. 0.40
	180.A.10205	0.80	300.0	6.0	128.0	105.13	0.232	121.853	41.330	SFr. 1.41
	180.A.25328	0.85	36.0	8.0	10.0	10.19	1.455	11.951	34.991	SFr. 0.38
	180.A.20119	0.90	80.0	10.0	17.0	17.09	0.522	20.967	30.815	SFr. 0.44
	180.A.25327	1.00	8.0	6.0	3.0	5.00	27.165	5.413	70.284	SFr. 0.32
	180.A.10211	1.00	30.0	8.0	10.0	12.00	2.970	13.735	48.306	SFr. 0.38
	180.A.10212	1.00	40.0	8.0	14.0	16.00	2.121	18.433	45.744	SFr. 0.40
	180.A.10213	1.00	50.0	8.0	18.0	20.00	1.650	23.124	44.346	SFr. 0.40
	180.A.10214	1.00	60.0	8.0	22.0	24.00	1.350	27.818	43.446	SFr. 0.41
	180.A.20120	1.00	100.0	12.0	18.0	20.00	0.425	25.079	31.841	SFr. 0.66
	180.A.10215	1.00	300.0	8.0	104.0	107.71	0.285	125.796	49.648	SFr. 1.48
	180.A.20116	1.00	300.0	10.0	70.0	73.37	0.200	88.850	42.230	SFr. 0.98
	180.A.25316	1.10	10.0	8.0	3.0	5.50	15.135	6.025	60.167	SFr. 0.34
	180.A.25314	1.10	40.0	6.0	19.6	23.65	6.501	26.435	88.183	SFr. 0.34
	180.A.25329	1.10	43.0	9.0	12.0	15.40	2.521	17.741	63.677	SFr. 0.40

Tarif 2024

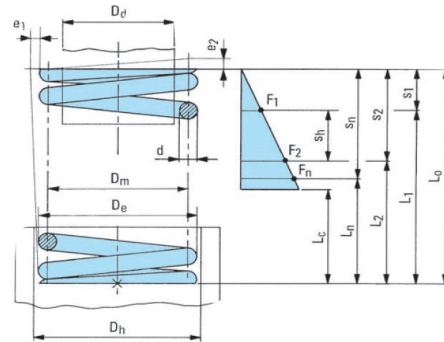
(TVA n.c./Exkl. Mwst)

Assortiment de ressorts de compression

(Extrémités aplaties et meulées)

Druckfedernsortiment

(Mit angelegten und geschliffenen Endwindungen)



Quantité Menge	N° Nr	d [mm]	L0 [mm]	Da [mm]	Nbre de spires actives Anz. Aktive Windungen	Hauteur de blocage Blocklänge Lc [mm]	Constante Federrate [N/mm]	Ln [mm]	Fn [N]	Prix unitaire Stückpreis [Fr.]
	180.A.10221	1.20	30.0	10.0	7.0	10.80	4.429	12.316	78.321	SFr. 0.40
	180.A.25318	1.20	32.0	15.0	6.0	9.60	1.339	11.752	27.116	SFr. 0.44
	180.A.10222	1.20	40.0	10.0	10.0	14.40	3.100	16.567	72.641	SFr. 0.40
	180.A.10223	1.20	50.0	10.0	12.5	17.34	2.490	20.038	74.605	SFr. 0.41
	180.A.10224	1.20	60.0	10.0	15.0	20.38	2.068	23.637	75.198	SFr. 0.43
	180.A.20121	1.20	120.0	16.0	17.0	22.76	0.384	29.446	34.773	SFr. 0.71
	180.A.10225	1.20	300.0	10.0	64.0	81.05	0.484	94.942	99.248	SFr. 1.60
	180.A.25331	1.30	55.0	12.0	11.0	16.90	2.159	19.785	76.029	SFr. 0.55
	180.A.25317	1.50	30.0	10.0	8.0	15.00	10.497	16.779	138.784	SFr. 0.52
	180.A.10231	1.50	30.0	12.0	6.5	12.75	6.854	14.442	106.636	SFr. 0.44
	180.A.10232	1.50	40.0	12.0	9.0	16.50	4.950	18.843	104.728	SFr. 0.46
	180.A.10233	1.50	50.0	12.0	11.0	19.50	4.050	22.364	111.928	SFr. 0.48
	180.A.10234	1.50	60.0	12.0	13.0	22.50	3.427	25.884	116.917	SFr. 0.52
	180.A.10235	1.50	300.0	12.0	62.0	98.32	0.718	114.473	133.208	SFr. 1.72
	180.A.25319	1.60	40.0	15.0	8.0	16.00	3.467	18.630	74.109	SFr. 0.54
	180.A.25330	1.60	46.0	11.0	11.5	21.60	6.989	24.395	150.996	SFr. 0.68
	180.A.25320	1.70	45.0	16.0	7.0	15.30	4.153	17.763	113.138	SFr. 0.61
	180.A.25332	1.75	60.0	14.5	11.0	22.74	4.191	26.207	141.628	SFr. 0.68
	180.A.20122	1.80	120.0	18.0	16.0	32.38	1.573	38.760	127.790	SFr. 0.88
	180.A.10241	2.00	30.0	15.0	5.0	14.00	14.838	15.634	213.162	SFr. 0.61
	180.A.10242	2.00	40.0	15.0	7.0	18.00	10.599	20.300	208.938	SFr. 0.64
	180.A.10243	2.00	50.0	15.0	9.0	22.00	8.244	25.000	206.600	SFr. 0.66
	180.A.10244	2.00	60.0	15.0	11.0	26.00	6.745	29.600	205.000	SFr. 0.68
	180.A.20123	2.00	140.0	21.0	18.0	40.00	1.320	48.482	120.804	SFr. 1.15
	180.A.10245	2.00	300.0	15.0	55.0	117.00	1.349	135.000	222.631	SFr. 1.84
	180.A.25334	2.20	65.0	18.0	10.0	26.40	6.050	30.304	209.911	SFr. 1.06
	180.A.25335	2.20	67.0	22.0	8.0	22.00	3.842	25.899	157.947	SFr. 1.25
	180.A.25333	2.50	63.0	16.0	12.0	34.99	13.479	39.311	319.301	SFr. 1.08
	180.A.25321	3.00	22.0	20.0	3.0	14.99	56.000	16.331	317.462	SFr. 0.99
	180.A.25322	3.00	45.0	20.0	6.5	25.50	25.840	28.389	429.222	SFr. 1.09